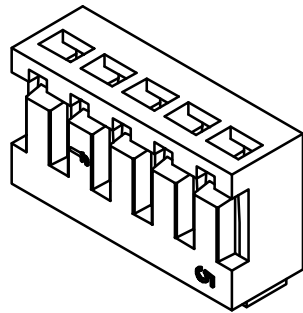
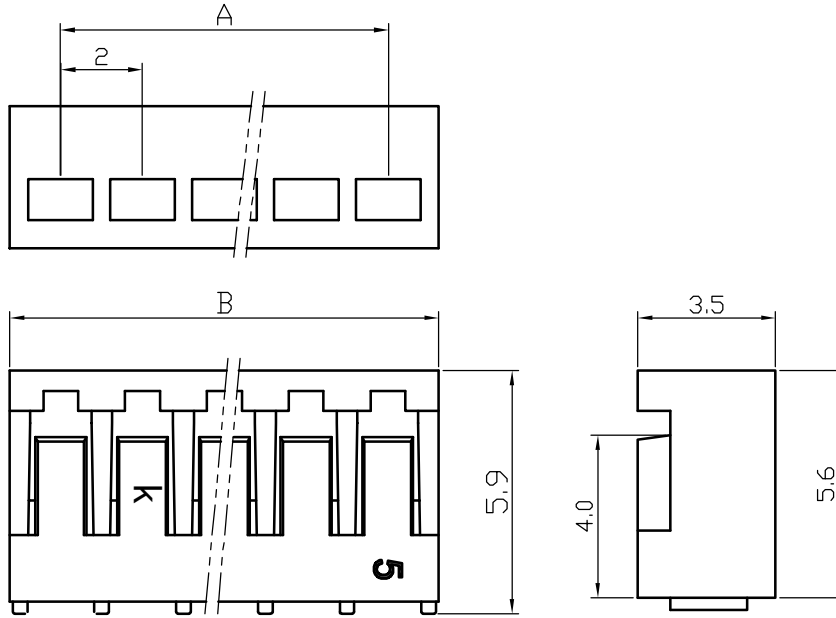





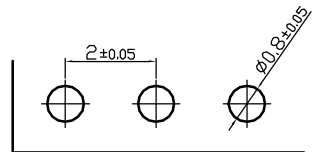
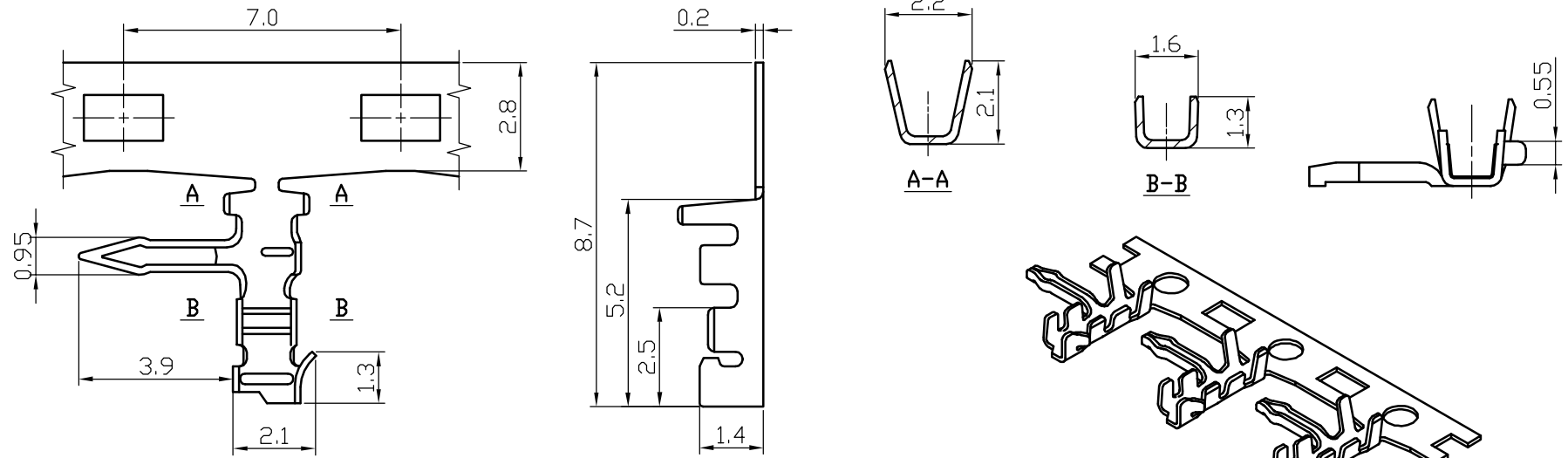
JC20 Type Housing




Poles	Part No.		Dimensions	
			A	B
2	BI2002-H02	JC20-2Y	2	4.5
3	BI2002-H03	JC20-3Y	4	6.5
4	BI2002-H04	JC20-4Y	6	8.5
5	BI2002-H05	JC20-5Y	8	10.5
6	BI2002-H06	JC20-6Y	10	12.5
7	BI2002-H07	JC20-7Y	12	14.5
8	BI2002-H08	JC20-8Y	14	16.5
9	BI2002-H09	JC20-9Y	16	18.5
10	BI2002-H10	JC20-10Y	18	20.5
11	BI2002-H11	JC20-11Y	20	22.5
-	-	-	-	-
16	BI2002-H16	JC20-16Y	30	32.5

1	Housing	PA66(UL94V-0/V-2)	1	White					
No.	Item/Material No.	Material	QTY	Remark					
Unmarked Tolerance		 Yueqing Hegxing Electronics Co., Ltd							
X. ° ±3° X. X° ±0.5°									
>0-3	>3-18	>18-50	>50-120	Unit	Scale	Design Unit	Size	Part No.	 
±0.12	±0.15	±0.3	±0.5	mm	—	Metric	A4		
Draw	Review	Approve	Material	Drawing No.			Part No.		
				Item	JC20-NY				

JC20 Type Terminal



PCB Layout

1	Terminal	Phospher Bronze	1	
No.	Item/Material No.	Material	QTY	Remark
Unmarked Tolerance		 Yueqing Hegxing Electronics Co., Ltd		
X. ° ±3° X. X° ±0.5°				
>0-3	>3-18	>18-50	>50-120	
±0.12	±0.15	±0.3	±0.5	
Unit	Scale	Design Unit	Size	Part No.
mm	—	Metric	A4	
Draw	Review	Approve	Material	Drawing No.
			Item	JC20-T